

MEDIUM VOLTAGE RESIN

S Y S T E M S

B U S B A R

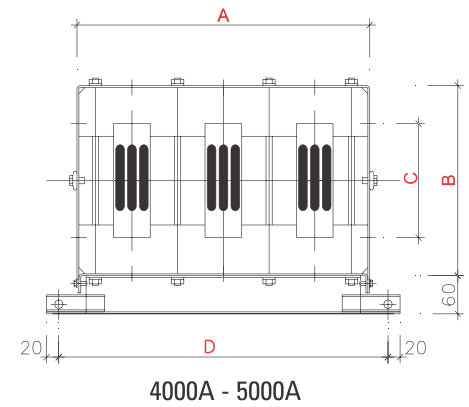
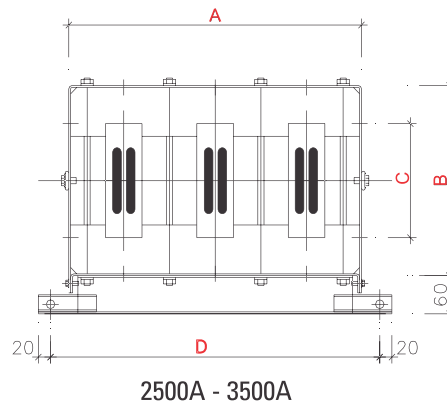
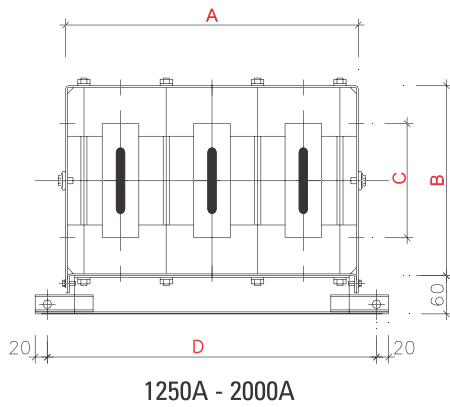
12kV - 24kV



ISO 9001 / ISO 14001 / OHSAS18001

BK S

STROMSCHIENEN AG
BUSBAR SYSTEMS



12 kV 60Hz / 50Hz

TYPE	RATING (A)	VOLTAGE (kV)	A	B	C	D
MV-R 060-01	1250	12	600	320	140	660
MV-R 080-01	1600	12	600	320	140	660
MV-R 100-01	1750	12	600	360	180	660
MV-R 120-01	2000	12	600	360	180	660
MV-R 080-02	2500	12	660	320	140	660
MV-R 100-02	3000	12	660	360	180	660
MV-R 120-02	3500	12	660	360	180	660
MV-R 100-03	4000	12	720	360	180	780
MV-R 120-03	5000	12	720	360	180	780

17.5 kV - 24 kV 60Hz / 50Hz

TYPE	RATING (A)	VOLTAGE (kV)	A	B	C	D
MV-R 060-01	1250	17.5	740	380	140	800
MV-R 080-01	1600	17.5	740	380	140	800
MV-R 100-01	1750	17.5	740	420	180	800
MV-R 120-01	2000	17.5	740	420	180	800
MV-R 080-02	2500	17.5	800	380	140	860
MV-R 100-02	3000	17.5	800	420	180	860
MV-R 120-02	3500	17.5	800	420	180	860
MV-R 100-03	4000	17.5	860	420	180	860
MV-R 120-03	5000	17.5	860	420	180	860

all dimensions are in mm